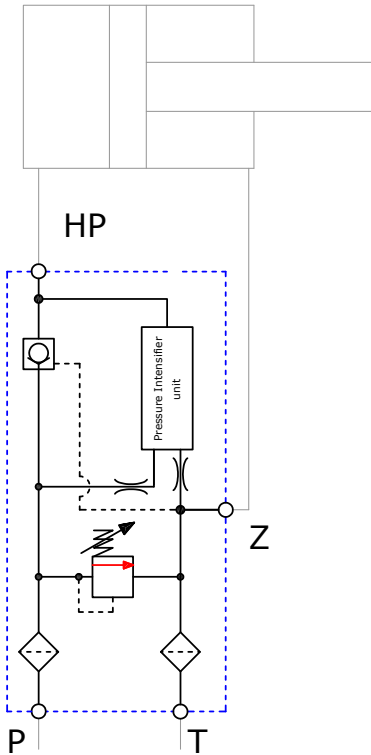


Scanwill Intensifier Solution Series SIS-22

Technical Data:



Inlet flow:	Min. 2 LPM to max. 20 LPM
Inlet pressure:	Min. 10 bar to max. 200 bar* *the inlet pressure can be adjusted by the pressure control valve on the SIS-22
Outlet Pressure:	Variable 50 to 800 bar** **depending on the chosen ratio and setting of the inlet pressure
Connections:	G1/4" all ports
Materials:	Cast iron & steel Available in stainless steel
Filtration requirement:	Min. 10 micron nominal 200 micron strainers integrated

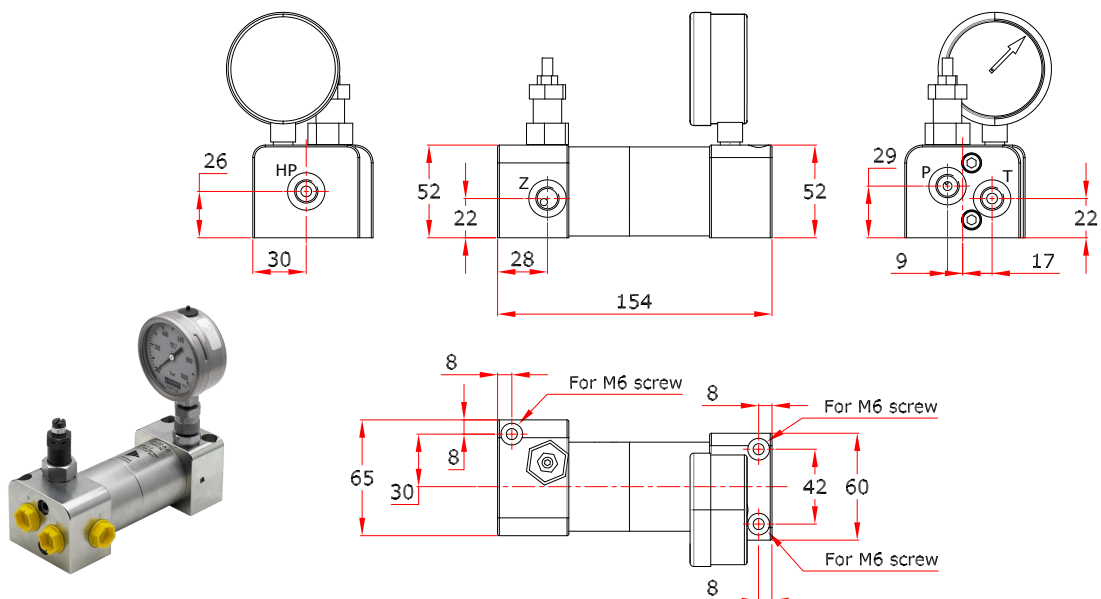
Connecting the SIS-22

Before installing make sure the surroundings and connecting parts are clean.

- P: To be connected to pump supply
- T: To be connected to the tank line
- Z: To be connected to the low pressure side of the cylinder
- HP: To be connected to the high pressure side of the cylinder

The SIS-22 Range:

Ratio	Max. inlet pressure (bar)	Max. outlet pressure (bar)	Product code
2.0:1	200	400	SIS-22-2.0
3.4:1	200	680	SIS-22-3.4
4.0:1	200	800	SIS-22-4.0
5.0:1	160	800	SIS-22-5.0
7.0:1	114	800	SIS-22-7.0



For additional technical support in North America, please contact your authorized distributor or IC-Fluid Power, Inc. for more information: sales@icfluid.com or +1.877.423.5843.