

5,000 psi / 350 bar High Pressure In-Line Oil Filters IL-350 & T-350 Series



TECHNICAL FEATURES

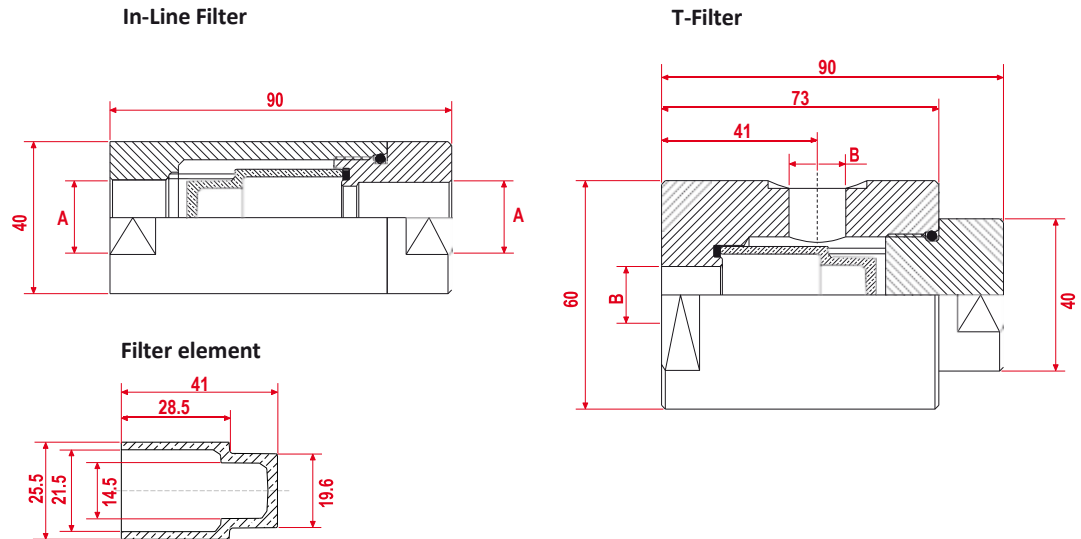
- Oil flow up to 100l/min / 26 gpm
- Maximum working pressure 350 bar / 5,000 psi
- Treated aluminum or stainless steel
- Sintered bronze filter element
- Standard or Viton seals for mineral oils, emulsions and synthetic fluids
- Compact and lightweight

T-Model

The 350 series is also available as a T-Model which has the same specifications as the in-line model, but provides for radial port connections versus inline. One main advantage to the T-Model is that the filter assembly does not need to be removed for filter changes. Simply remove the plug to change the filter.



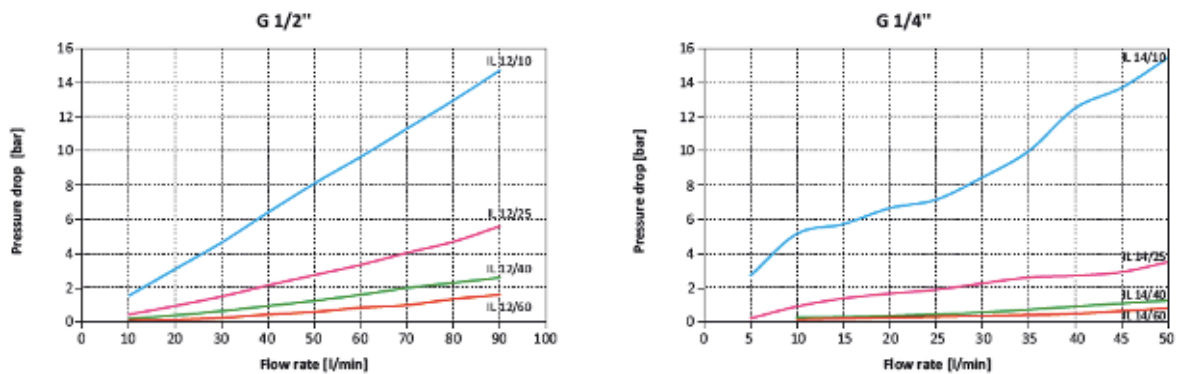
DIMENSIONS



FEATURES

| | |
|--------------------|-----------------------------------|
| Body: | Aluminum |
| Seals: | Standard – Viton |
| Filtration degree: | 10 – 25 – 40 – 60 – 80 micron |
| Connection A: | ½ BSP – ¼ BSP – 3/8 BSP – M18x1.5 |

PRESSURE DROP AS A FUNCTION OF FLOW RATE



TEST CONDITIONS

| | | | |
|------------------|-------------|------------------|---------|
| OIL TEMPERATURE: | 40°C (±4°C) | FILTER JUNCTION: | ½" - ¼" |
| VISCOSITY: | 34 cSt. | MAX PRESSURE: | 350 bar |

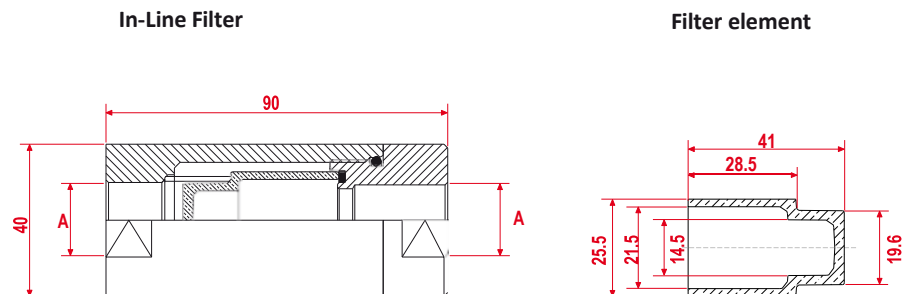
7,250 psi / 500 bar High Pressure In-Line Oil Filters IL-500 Series



TECHNICAL FEATURES

- Oil flow up to 100l/min / 26 gpm
- Maximum working pressure 500 bar / 7,250 psi
- Treated aluminum
- Sintered bronze filter element
- Standard or Viton seals for mineral oils, emulsions and synthetic fluids
- Compact and lightweight

DIMENSIONS



FEATURES

| | |
|--------------------|-----------------------------------|
| Body: | Aluminum |
| Seals: | Standard – Viton |
| Filtration degree: | 10 – 25 – 40 – 60 – 80 micron |
| Connection A: | ½ BSP – ¼ BSP – 3/8 BSP – M18x1.5 |

10,000 psi / 700 bar High Pressure In-Line Oil Filters IL-700 Series

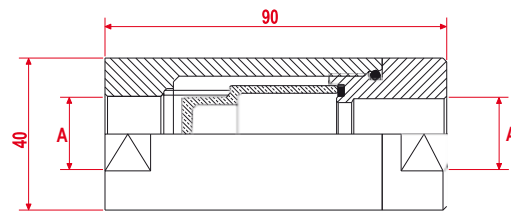


TECHNICAL FEATURES

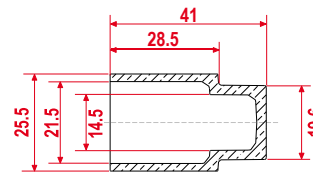
- Oil flow up to 100l/min / 26 gpm
- Maximum working pressure 700 bar / 10,000 psi
- Treated aluminum
- Sintered bronze filter element
- Standard or Viton seals for mineral oils, emulsions and synthetic fluids
- Compact and lightweight

DIMENSIONS

In-Line Filter



Filter element



FEATURES

| | |
|--------------------|-----------------------------------|
| Body: | Galvanized Steel |
| Seals: | Standard – Viton |
| Filtration degree: | 10 – 25 – 40 – 60 – 80 micron |
| Connection A: | ½ BSP – ¼ BSP – 3/8 BSP – M18x1.5 |